

ACT 422 D-sub Serial Surge Protection Device



▶ ACT 422 D-sub Serial Surge Protection Device is capable of connecting in series with any DB-Sub cable including EIA/RS485, V.24/RS232, V.11/RS422, providing full protection on all pins used in industrial and commercial serial communication systems.

▶ RECOMMENDED LOCATION

- Residential and Commercial
- Alarm Lines

▶ STANDARDS MET

- Designed to meet:
 - » EIA RS485, RS232, RS422
 - » UL497, UL497A, UL497B
 - » UL1459
 - » IEC 61643-21

▶ FEATURES AND BENEFITS

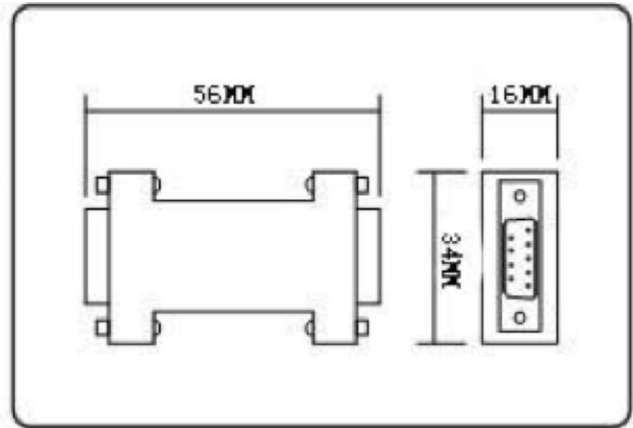
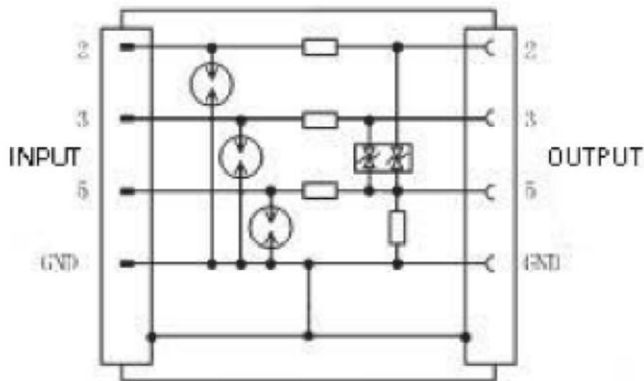
- Robust Design - 3Ka (8x20uSec)
- Solid State Protection
- Fast Response <1 nSec
- Absorbs and Dissipates surges within the unit
- 1 Year Standard Warranty

▶ TECHNICAL DATA

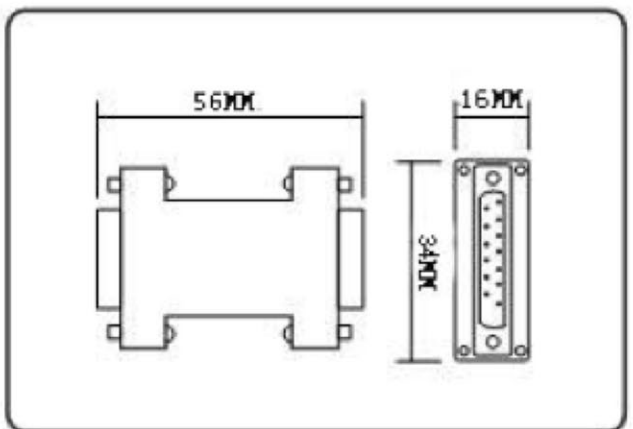
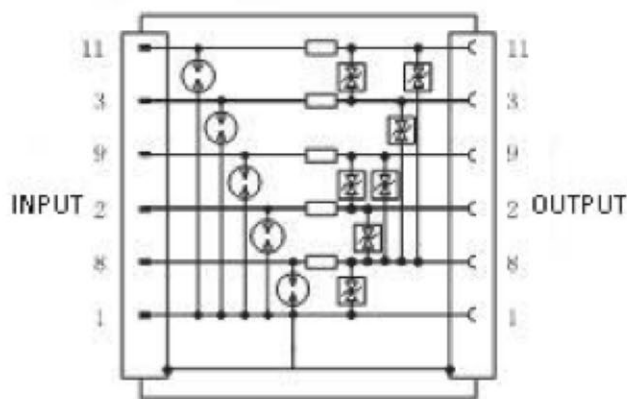
Model	ACT 422-024-DB9	ACT 422-024-DB15	ACT 422-024-DB25
Nominal operating voltage: Un	24V		
Max. continuous operating voltage: Uc	30V		
Nominal discharge current: In (C2)	300A		
Max. discharge current: Imax (C2)	1000A		
Voltage protection level: (C2) Up	L-L: ≤27V L-PE: ≤300V		
Response time: ta	≤1nS		
Signal transmission rate: Vs	40Mbps		
Insertion loss: Ae	≤0.3dB		
Dimensions	2.20 x 1.34 x 0.63 Inches (56x34x16mm)		2.48 x 2.2 x .66 Inches(63x56x17mm)
Housing material	ABS flame retardant plastics- UL94-V0		
Housing color	Milky White Black		
Working environment	Temperature: I 40°C~ + 85°C~ Relative humidity: ≤95%		
Shell protection grade	IP20		

ACT 422 D-sub Serial Surge Protection Device

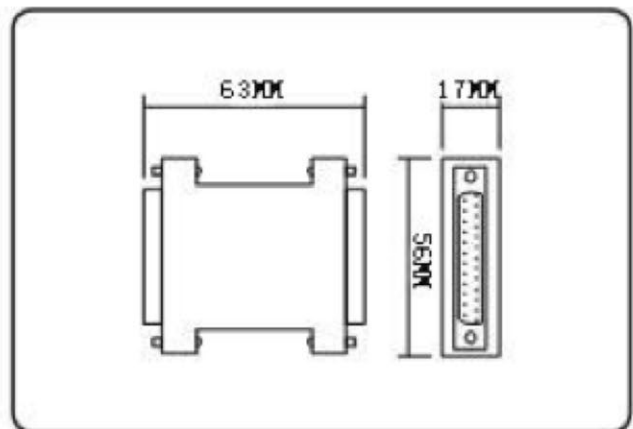
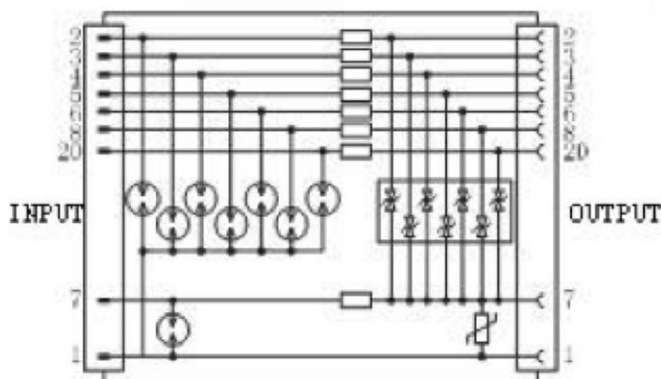
DIMENSIONS AND ELECTRICAL DIAGRAM



ACT 422-024-DB9



ACT 422-024-DB15



ACT 422-024-DB25