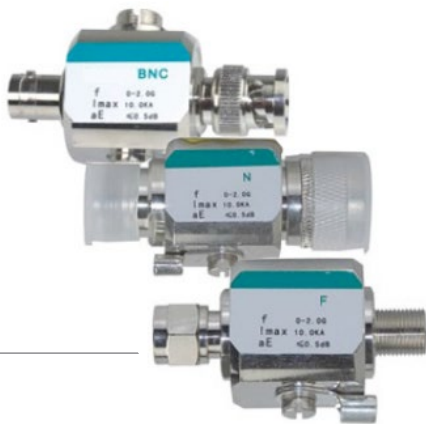


ACT 424-GT Series

Gas Tube RF



- ▶ With the increases in the sensitivity of telecom and cellular equipment, the ACT 424-GT is a coax surge arrester built to pass DC voltage while sustaining multiple lightning surges and quickly restoring itself back to normal for the next surge.

The ACT 424 is a primary series connected surge arrester with a choice of BNC, N, F, TNC, and SMA type connectors (Male to Female). The Coax Protector protection technology is designed with a robust gas tube design that allows both signal and dc to pass through the protector.

▶ RECOMMENDED LOCATION

- Rail Road
- Commercial Telephone
- Wireless Telephone
- Cable Television



Inspected and Tested in the USA

▶ FEATURES AND BENEFITS

- Passes DC-25GHz
- Robust Design – 20kA (8x20uSec)@ <550V
- Uses Gas Tube Protection design
- Fast Response Time < 100 nSec
- Extremely low insertion loss <0.2 dB
- Absorbs and Dissipates surges through ground
- 1 Year Standard Warranty

▶ STANDARDS MET

- UL 497A
- ANSI/ IEEE C62
- 3rd Party Tested

▶ TECHNICAL INFORMATION

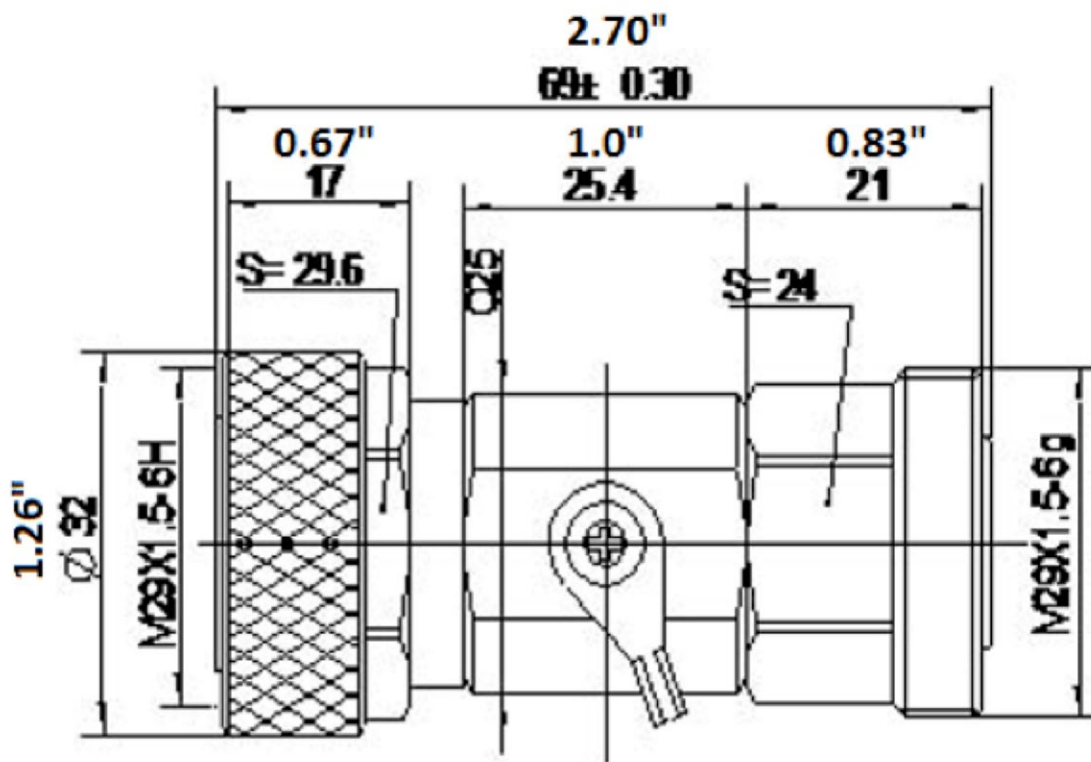
XXX	Voltage	65V, 90V, 350V
ACT 424-GT-XXX-YYY-MF	YYY	Connector Type BNC TNC F SMA
MF	MALE to FEMALE	

▶ ELECTRICAL & MECHANICAL SPECIFICATIONS

Connector Type	BNC	TNC	F	SMA	N
Working Frequency (GHz)	0-2.5G	0-2.5G	0-2.5G	0-2.5G	0-2.5G
Impedance (Ohms)	75	50	75	75	50
Nominal Breakdown Voltage	65-90	65-90	65-90	65-90	65-90
Max Discharge Current (8x20uS)	20kA	20kA	20kA	20kA	20kA
Max Voltage Breakdown	<550V	<550V	<550V	<550V	<550V
Insertion Loss (dB)	<0.2	<0.2	<0.2	<0.2	<0.2
Working Temperature (deg C)	-40 to +85	-40 to +85	-40 to +85	-40 to +85	-40 to +85
Typical Size (mm)	69.0 x 32 x 32	69.0 x 32 x 32	69.0 x 32 x 32	69.0 x 32 x 32	69.0 x 32 x 32
Continuous Power	60W	60W	60W	60W	60W

ACT 424-GT Series

Gas Tube RF



TYPICAL SPECIFICATIONS

Connector:	Male / Female
Frequency Range:	DC – 2500 MHz
Impedance (Connector Dependent):	50 Ω
Insertion Loss	≤ 0.2dB
Rated D.C. Voltage:	90/230/350 DC
Discharge Capacity:	20 kA
Contact Resistance (in ohms):	≤ Ω 0.4 m
Voltage Standing Wave Ratio:	≤ 1.2
Continuous Power (Watts):	60 W
Temperature Range (in C):	-40 - +85 deg C