

ACT Surge Stryker 455 LT Family

7-Mode Hardwired Primary AC Surge Protection Device



▶ The Surge Stryker LT Family is a high performance surge protector designed for critical panel locations. The SPD incorporates high-energy MOVs with the best performing AC filter on the market to provide protection against transients originating from induced lightning strikes, utility switching and facility power noise.

Real-time diagnostics include LED fault indicators for each phase, as well as an optional alarm that includes red LED, dual Form C dry contacts for remote indication.

Housed in a rugged resin NEMA 12/4X enclosure, these devices are suitable for harsh indoor or outdoor applications. The ACT 455 LT Family is available for all voltages and configurations up to 480Vac.

EXAMPLE: ACT 455-277Y-100-LT-R

Wall mounted protector at 100kA/mode with remote alarm relay.

▶ RECOMMENDED LOCATION

- Type 2 Location
- Cell Sites, Well Pumps / Cat C
- Distribution Equipment / Cat B
- Branch Panels / Cat B
- Point of Use / Cat A
- Residential / Cat C

▶ AC PANEL PROTECTION

- Available in 050, 080, 100 kA per modes
- All modes of protection (L-N, L-G, N-G, L-L)
- 200 kAIC Fault Current Rating
- Advanced EMI/RFI Noise Filtering (-45dB) 3kHz - 1MHz
- 2-year warranty (5-year optional)
- 3rd Party Tested - 15,000 (C3 20 kV/10 kA)

▶ CHARACTERISTICS

Surge Handling (Imax)	Up to 100 kA/mode 200 kA/phase
All Mode Protection (10 modes)	L-N, L-G, N-G, L-L
Response Time	<5 nanoseconds MOV Technology
Green LED Indicators	Yes
EMI/RFI Noise Rejection (option)	-45dB
Optional Alarms	
Red LED	Yes
Remote Signalling	Form C dry contacts – NC & NO

▶ STANDARDS & GUIDELINES

Listed by ETL for UL 1449 4th edition	USA
ANSI/IEEE C62.41	USA
Listed by ETL for UL 1283 Power Filters	USA
3rd Party to IEC61643-11 CE Mark International	

▶ FEATURES

Surge Rating (kA) by Mode:	050, 080, 100	
Surge Rating (kA) by Phase:	100, 160, 200	
Enclosure Type:	Resin NEMA 12/4X – Standard no option code	
Optional Alarms	Alarm LED, Remote Relay	– R
Optional Filter	-45 dB EMI / Noise Filter	– F
Optional Mounting	Top Feed	– T

ACT Surge Stryker 455 LT Family

7-Mode Hardwired Primary AC Surge Protection Device

Part Number	Configuration	MCOV	VPR (Voltage Protection Rating) IEEE C62 – UL 4th Edition			
			L-N	L-G	N-G	L-L
455-120S-XXX	120/240 Vac 3W+G	150V	700	700	700	1000
455-120Y-XXX	120/208 Vac 4W+G	150V	700	700	700	1000
455-277Y-XXX	277/480 Vac 4W+G	320V	1000	1000	1000	1800
455-240D-XXX	240 Vac 3W+G, delta	320V	-	1000	-	1800
455-240H-XXX	120/240 Vac 4W+G, delta HL PHB	150V/320V	700/1000	700/1000	1000	1000/1800
455-480D-XXX	480 Vac 3W+G, delta	600V	-	1800	-	3000

7 Mode 455 Model Numbers		
Model No.	System Voltage	Service Configuration
455-120-XXX	120 VAC	1 PHASE, 2 WIRE, W/GROUND
455-240-XXX	240 VAC	1 PHASE, 2 WIRE, W/GROUND
455-120S-XXX	120/240 VAC	1 PHASE, 3 WIRE SPLIT PHASE, W/GROUND
455-120Y-XXX	120/208 VAC	3 PHASE, 4 WIRE WYE, W/GROUND
455-220Y-XXX	220/380 VAC	3 PHASE, 4 WIRE WYE, W/GROUND
455-277Y-XXX	277/480 VAC	3 PHASE, 4 WIRE WYE, W/GROUND
455-240H-XXX	120/240 VAC B PHASE IS 208V	3 PHASE, HIGH-LEG DELTA, W/GROUND
455-240D-XXX	240VAC	3 PHASE, 3 WIRE DELTA, W/GROUND
455-380D-XXX	380 VAC	3 PHASE, 3 WIRE DELTA, W/GROUND
455-480D-XXX	480 VAC	3 PHASE, 3 WIRE DELTA, W/GROUND

TECHNICAL INFORMATION

ELECTRICAL SPECIFICATIONS

Connection Method	Parallel
Discrete Protection Modes (7)	L-N, L-G, N-G
Protection Modes (10 Modes)	L-N, L-G, L-L, N-G
Pre-Wired	36" Stranded #10 AWG
Status Indicators	Green LED
Optional EMI Filter	-45 dB Noise Reduction
Optional Alarm Relay Contacts	Form C NC & NO
Optional Red LED	Indicates Red when unit is in alarm

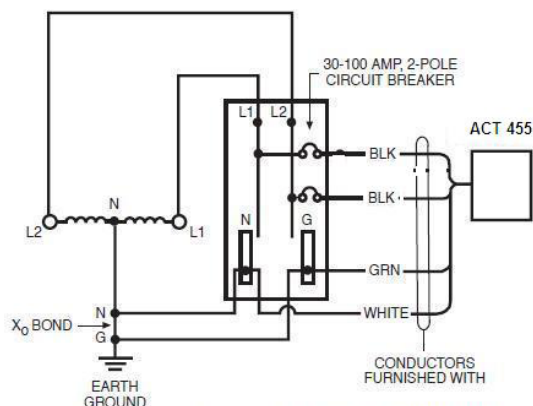
DIMENSIONAL SPECIFICATIONS

Dim	ACT 455 – 50, 80, 100, 125, 160, 200
H	8.00
W	6.00
D	5.00

MECHANICAL SPECIFICATIONS

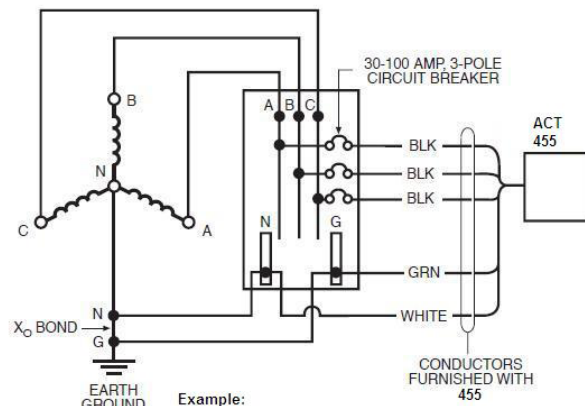
Weight	10 lbs
Standard Enclosure	Resin NEMA 12 / 4X
Operating Temp	-40C to +65C
Non-condensing Humidity	5% to 95%
Bottom Fed is Standard – Top Fed is Option Code – T	
100% Sanded for Increased Safety	

Single Phase, 3-Wire (with neutral)



Example: ACT455-120S 120 /240 VAC

3-Phase, 4-Wire WYE



Example:
ACT 455-120Y 120/208 VAC or ACT 455-277Y 277/480 VAC