

ACT 490 Family

Power To Antenna (PTA) Distribution Panel



- ▶ The ACT 490 Power To Antenna (PTA) Distribution Panel is a DIN rail mounted, DC Distribution Panel with replaceable plug in module Surge Protectors, and optional breakers.

This protection family is specifically designed to protect the power to your sensitive Cellular and Antenna equipment against harmful lightning surges and electrical transient surges that are so common on a cell tower.

The ACT 490 Cellular PDP Family can utilize either a hybrid protection circuit consisting of MOV technology DIN Protectors (standard product) or optional high energy Gas Discharge Tubes (GDT's) with fast clamping MOV DIN Protectors. Both solutions offer an ultra-fast response time and are very high power handling capability of 50 kA 8/20us surge wave per power line (100kA per power pair). Unlike many of the other DC protector companies, these units automatically reset after each surge event.

▶ RECOMMENDED LOCATION

- **ACT 491 – Radio Unit**
Mounted near the Radios at top of tower. Surge Protection on both + and – voltage, includes DIN Power Distribution
- **ACT 492 – Base Unit**
Mounted near base of tower or close to the Rectifier units. SPD and Optional Breaker Protection only on the – Neg voltage side

▶ FEATURES AND BENEFITS

- **Full Range of Voltage Levels**
Perfect for any Cellular or Telephone Application
- **Powers up to 24 Radio Heads**
- **Hybrid (MOV and Gas Tube) and MOV only technology**
- **Broad bandwidth**
Low Power Loss
- **DIN makes for easy installation**
Hot Swap Modular makes for easy and quick repairs
- **Remote Status Alarm Option**
No more guessing if each protector is working.
- **Circuit Breaker Options**
Locally protect DC voltage feeding equipment
- **Surge Protector is UL 497 Listed**
- **2 Year Standard Warranty**

ACT 490 Family

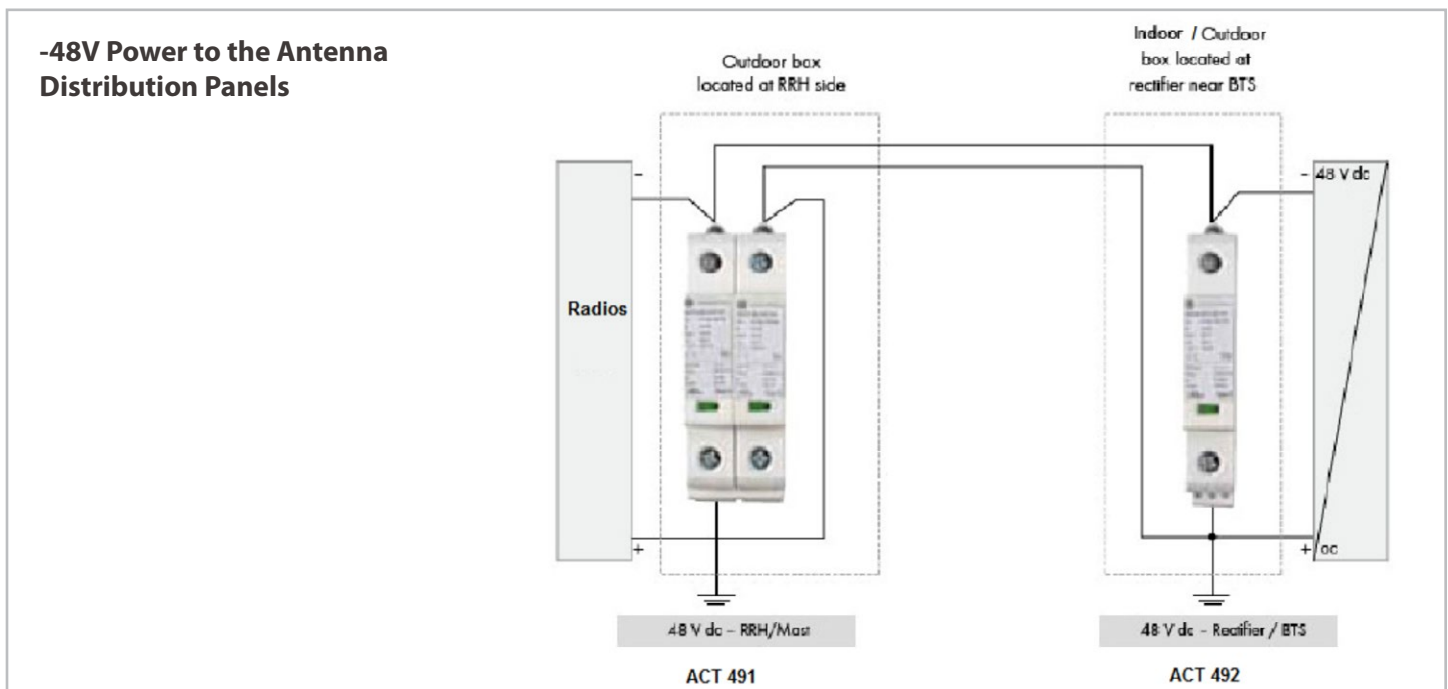
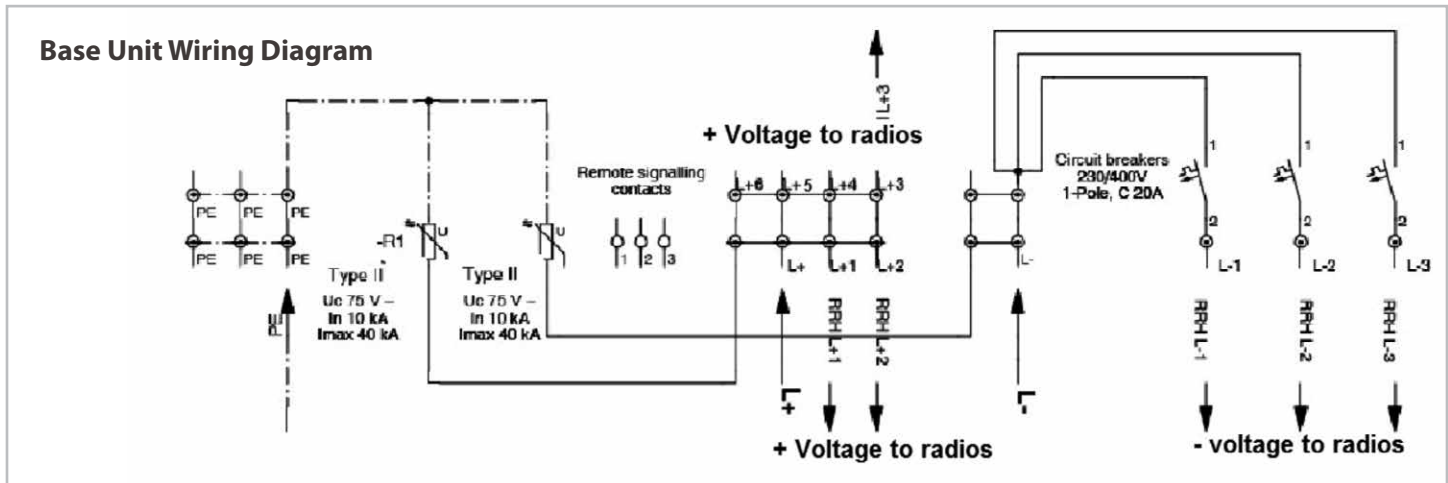
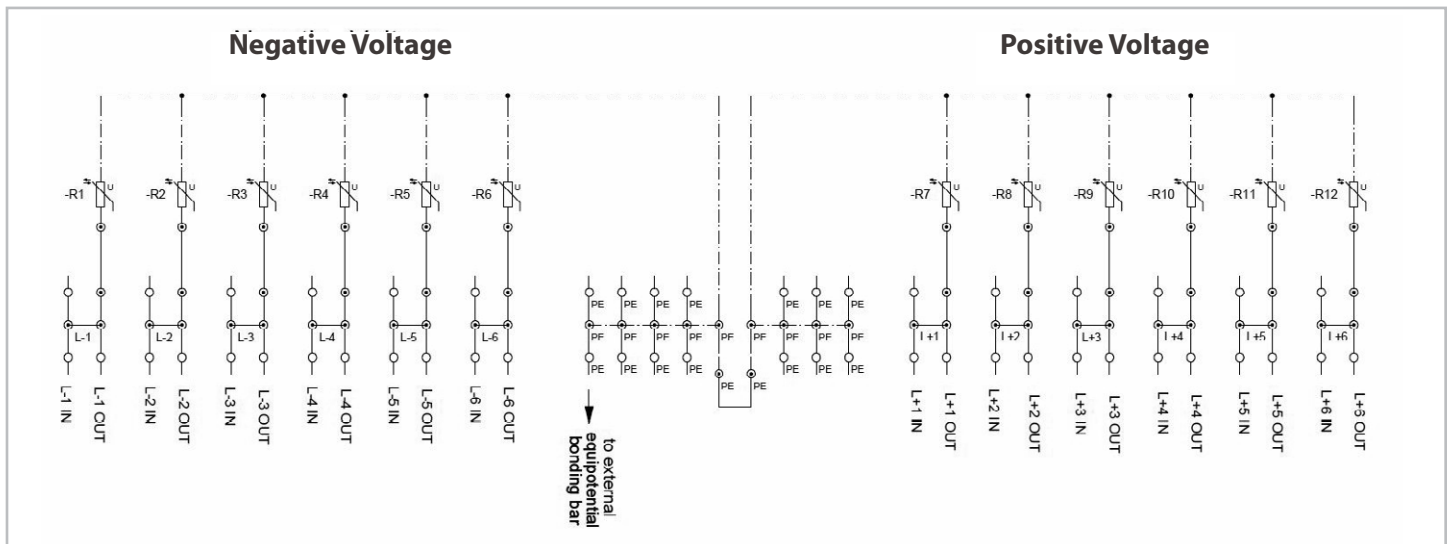
Power To Antenna (PTA) Distribution Panel

ACT 450-DS240 DIN Protector	ELECTRICAL									
Nominal DC Voltage Un	12	24	48	75	95	110	130	220	280	350
Max DC Operating Uc	24	38	65	100	125	150	180	275	350	460
Nominal discharge current per line in kA	10	10	15	20	20	20	20	20	20	20
Max discharge current I _{max} in kA	20	20	30	40	40	40	40	40	40	40
Protection level at In Up-in VDC	250	250	300	390	450	500	620	900	1200	1400
UL 1449 3rd edition VPR	330	330	330	400	—	—	600	—	—	—
Thermal Disconnecter	internal	internal	internal	internal	internal	internal	internal	internal	internal	internal
Fuses (if necessary)	20A	20A	20A	50A	50A	50A	50A	50A	50A	50A
Circuit Breaker Option	One per Radio unit typically 10A dc current rating									
Status Indicator	By mechanical flag and remote alarm									
Protector Module	Replaceable - Pluggable									
Standards Compliance	IEC61643-11 international			Low voltage SPD - Test Class II						
	UL 1449 3rd Edition USA			Type 4						
	UL 94-V0									
	MECHANICAL									
Overall Dimensions	14.13 x 12.26 x 6.13 inches									
Weight	Changes with model number									
Material	Molded fiberglass polyester enclosure with matching cover. Enhanced UV inhibitors protect against outdoor weathering.									
Standards Compliance	UL 508 Type 1, 2, 3, 4, 4X, 12, and 13									
Complies with	NEMA Type 1, 2, 3, 4, 4X, 12 and 13									

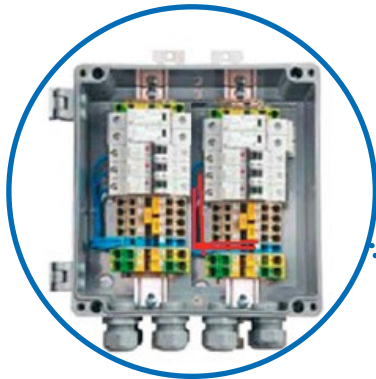
ACT 490 FAMILY PART NUMBERS	
ACT 49X-YYY-UVV-R	
ACT 49X where X =	
ACT 491	Mounted near radios
ACT 492	Base Unit - Mounted near DC Rectifiers or Bus
Where YYY = DC Voltage	
024	
048	
075	Typically used on -48 vdc for telephone
Where U =	
0	Standard - No Breakers
B	Breakers installed in Base Unit
Where VV = Number of protected pairs	
04	
06	
08	
12	
Where R option = Remote alarm option	
Example Part Number	ACT 491-075-006-R Power to Antenna PDP with 6 paired lines and 75V protectors
	ACT 492-B75-006 Base Unit PDP with 6 paired lines and 75V protectors on -voltage side, with breaker option

ACT 490 Family

Power To Antenna (PTA) Distribution Panel



Protected Telecom Cell Tower Application



ACT 490
48V Power Distribution Box



ACT 424
RF Coax Protectors



ACT 422
Telephone/Datacom Protector



ACT 471 Avenger
AC Surge Protection Device



ACT 444
Fiber Cable Location Protector

