

ACT TransShield 452 P-Series Family

A Wall Mounted Surge Protection Device



ACT 452-120Y-040-P

- ▶ Power Quality is more important today than ever before and that means not just any surge protector can be relied on to protect your sensitive equipment.

The ACT TransShield 452 type SPD has been protecting millions of dollars of telecom and commercial equipment for over 20 years and is the perfect product to protect your sensitive electrical and electronic environments.

The TransShield protection products are a cost effective solution for any critical location in the facility from high risk sites (Telecom & Petroleum) to the Point of Use equipment like your computers.

When installed with the ACT Surge Stryker 455 Surge Protection Device, you can count on a front to back facility protection system.

▶ RECOMMENDED LOCATION

- Type 2 & Type 3
- Residential Applications
- Commercial Applications
- HVAC Units
- Cell Sites, Well Pumps / Cat C
- Branch Panels / Cat B
- Point of Use / Cat A

▶ FEATURES AND BENEFITS

- Weather-resistant – perfect for outdoor applications
- 4 Modes of Discrete Protection (L-N, N-G)
- 10 Modes of Protection (L-N, L-G, N-G, L-L)
- Green Status indicating Lights per phase
- Individually Fused MOV Technology
- 1-Year Standard Warranty

▶ STANDARDS MET

- Listed by ETL for UL 1449 5th Edition
- ANSI/IEEE C62.41, C62.45
- ANSI/NFPA 70 National Electrical Code

▶ 3RD PARTY TESTED

- Survives 1,000 (C3 6kV / 3kA)

TECHNICAL INFORMATION

▶ MECHANICAL SPECIFICATIONS

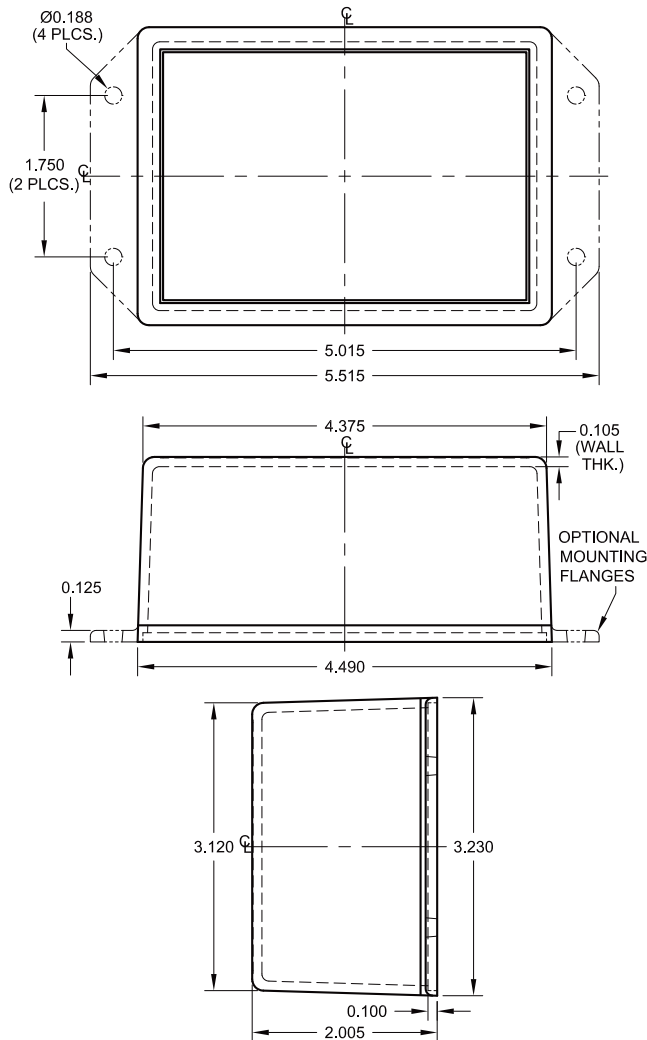
Dimensions	L 4.38" x W 3.13" x H 2.0" <i>(See Drawing)</i>
Weight	1.7 lbs.
Enclosure	NEMA 4X Plastic UL-94 VO
Operating Temp	-40F to +140F -40C to +65C
Non-condensing Humidity	5% to 95%

▶ ELECTRICAL SPECIFICATIONS

Connection Method	Parallel
4 Modes of Discrete Protection	L-N, N-G
Protection Modes (10 Modes)	L-N, L-G, L-L, N-G
Pre-wired	18" stranded #10 AWG
Status Indicators	Green LED

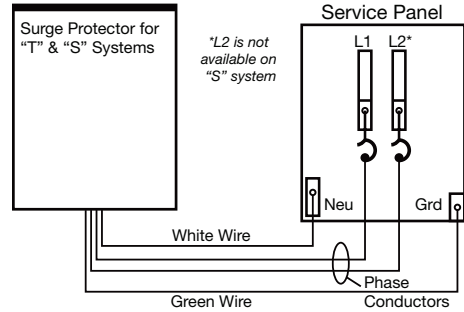
ACT TranShield 452 P-Series Family

DIMENSIONS

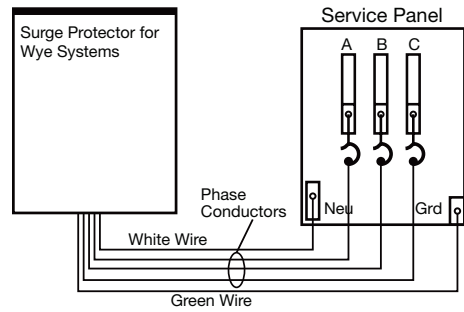


INSTALLATION INSTRUCTIONS

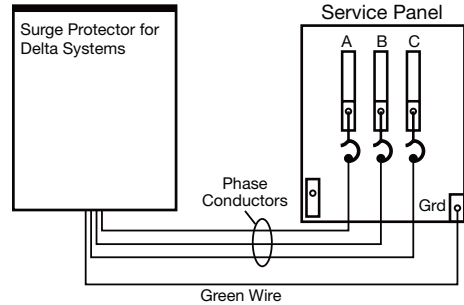
Split Phase 3W + G & Single Phase 2W + G



3 Phase 4W + G, Wye



3 Phase 3W + G, Delta



Model	System Voltage	System Configuration	Protect Mode	MCOV	SVR	VPR
452-120-040-P	120V	2 Wire + G	L-N	150	500	700
			L-G	300	600	1200
452-240-040-P	240V	2 Wire + G	L-N	320	800	1000
			L-G	640	1300	1800
452-480-040-P	480	2 Wire + G	L-N	550	1500	2500
			L-G	1200	3000	3200
452-120S-040-P	120/240	3 Wire + G	L-N	150	500	700
			L-L	300	600	1200
452-240S-040-P	240/480	3 Wire + G	L-N	320	800	1000
			L-L	640	1300	1800
452-120Y-040-P	120/208	4 Wire + G	L-N	150	500	700
			L-G	300	600	1200
452-277Y-040-P	277/480	4 Wire + G	L-N	320	800	1000
			L-G	640	1300	1800
452-480D-040-P	480	3 Wire + G	L-G	550	3000	1800
			L-L	1150	1500	3000

EXAMPLE: ACT 452-120-040-P

OPTIONS

Surge Rating Per Mode 040 = 40kA
Enclosure Type -P Plastic Enclosure